

CM-40, CM-41 & CM-60 Series Push Plate

INSTALLATION INSTRUCTIONS

THIS PACKAGE INCLUDES:

- (1) "All Active" Push Plate
- (1) Parts kit



1. GENERAL DESCRIPTION

Camden Door Controls CM-40 (4 1/2" round faceplate) and CM-41 (4 1/2" round faceplate with 4 1/2" square back plate) and CM-60 Series (6" round faceplate) 'all active' push plate switches are heavy-duty, ADA compliant door activation switches. The CM-40 and CM-41 switches mount to standard 2 x 4 electrical boxes. The faceplates are stainless steel or solid brass, and the assembly is designed for easy installation in single-gang electrical boxes, or with included adapter plate - double-gang and 4x4 boxes. The switches are UL/CSA approved and optional Weatherproof, watertight coating are available.

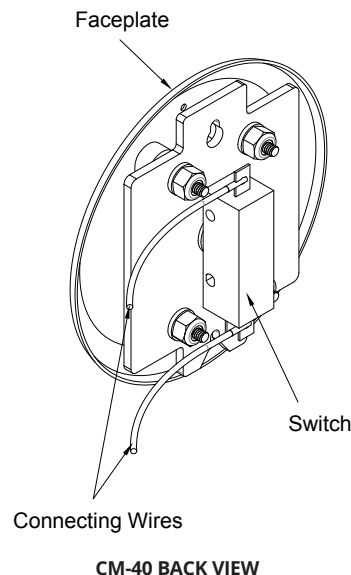
2. SPECIFICATIONS

Voltage	12/24 VDC
Contact Rating	15A @ 30 VDC
Contact Type	SPDT FORM 'C
Switch Type	Momentary
Standard Finish	CM-40, CM-41 & CM-60: US32/630
Dimensions	<p>CM-40 SERIES: 4 1/2" DIA x 1 3/8"D (114mm x 34mm)</p> <p>CM-41 SERIES: 4 1/2" H x 4 1/2" W x 1 3/8"D (114mm x 114mm x 34mm)</p> <p>CM-60 SERIES: 6" DIA x 1 3/8" D (152mm x 34mm)</p>

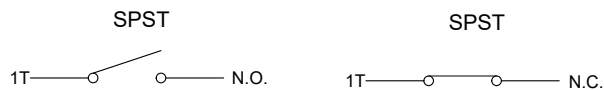
3. APPLICATION

Camden all-active switches are designed for areas where an easy-to-activate, high visibility switch is desired. Ideal for high-traffic areas, hospitals, wheelchair access, seniors' residences, etc. They can be surface or flush mounted. Camden all-active switches are designed to control electric strikes, electromagnetic locks, and automatic doors. They may also be used for shunting, bypassing alarms, request to exit, timed functions, and many other applications.

The switches are made for high frequency usage, in both indoor and outdoor environments. Camden switches are versatile, and can be supplied in various configurations and finishes, to suit any commercial, industrial, or residential application.



4. WIRING



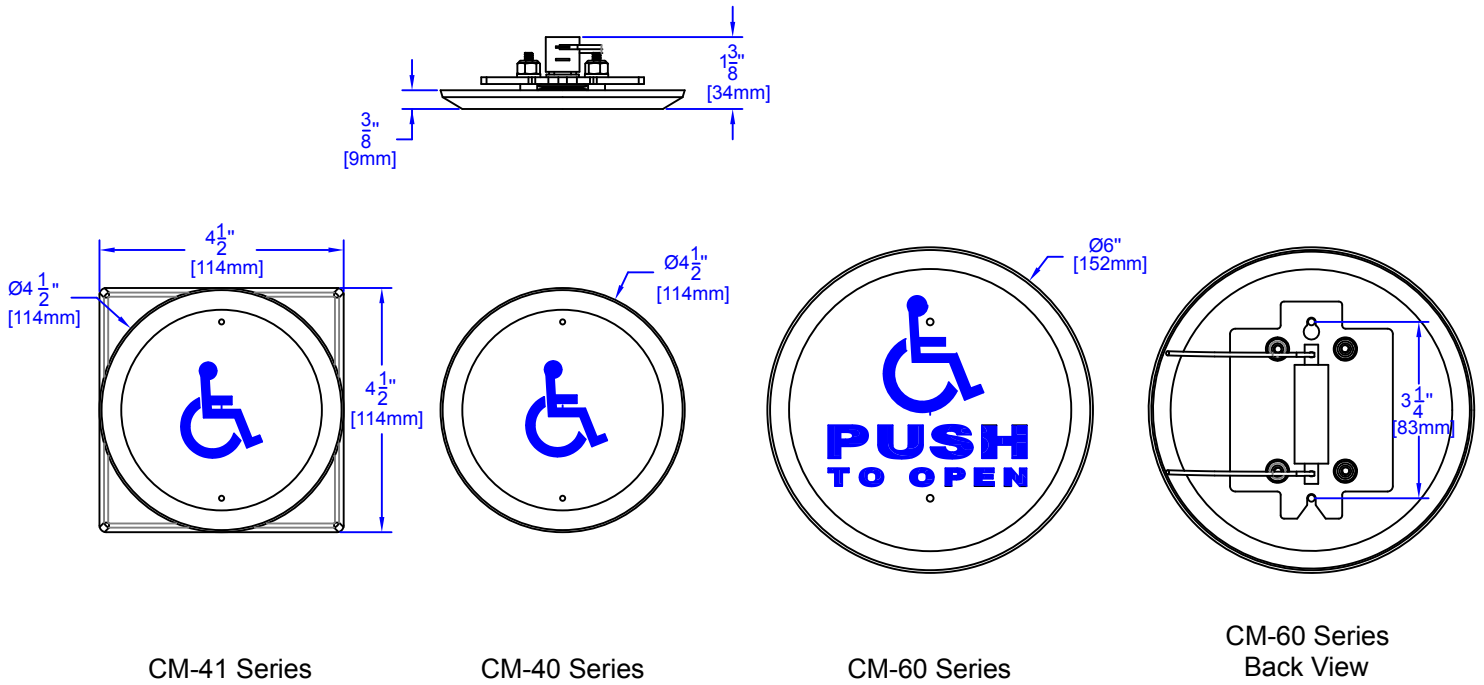
Momentary: When the switch is pressed the current pole will change to the opposite state until released.

WIRING LAYOUT & COLOR CODING		
SWITCH TYPE	SPST N.O.	SPST N.C.
COMMON	BLACK	BLACK
NORMALLY OPEN	BLACK	
NORMALLY CLOSED		BLACK

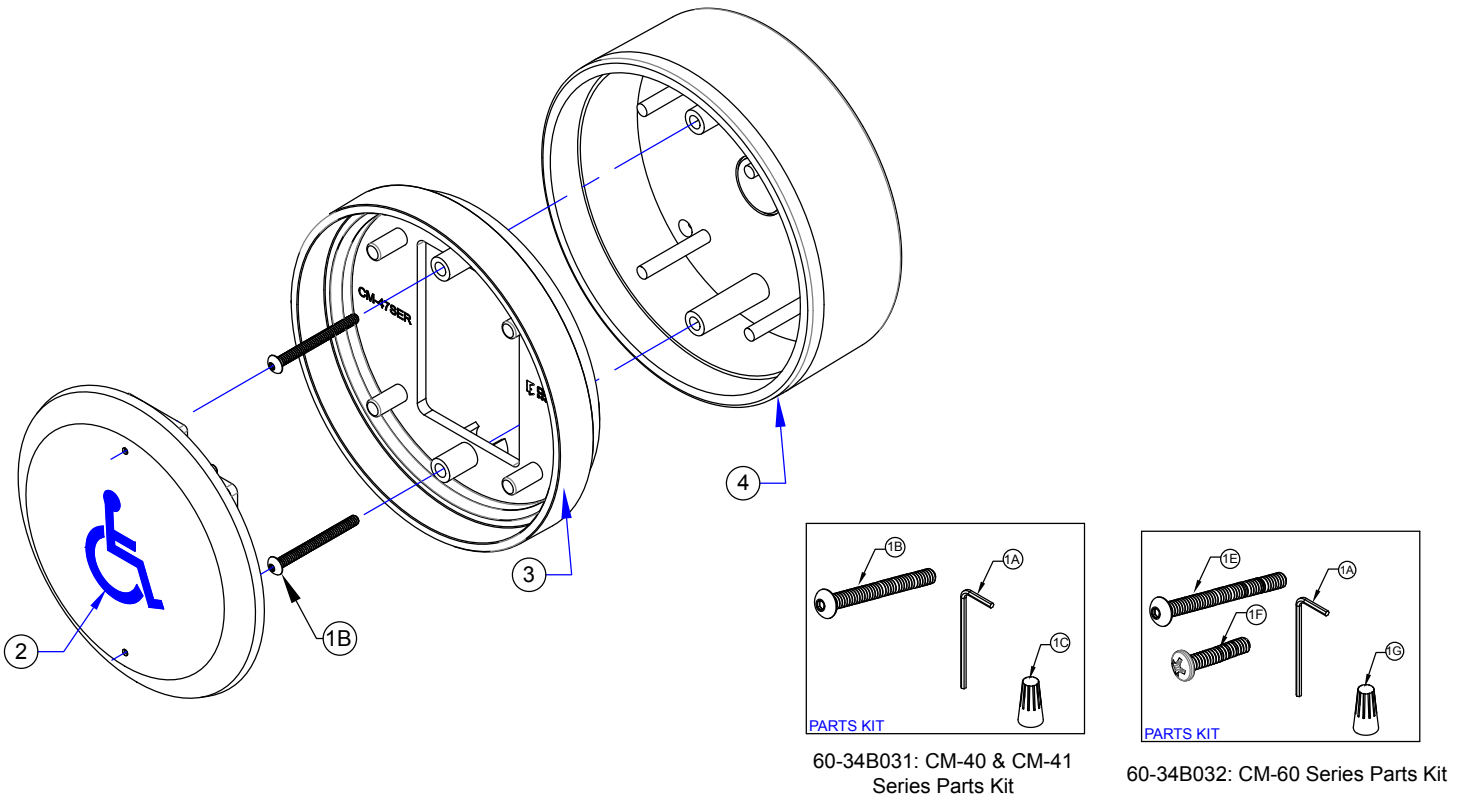
CM-40, CM-41 & CM-60 SERIES PUSH PLATE

INSTALLATION INSTRUCTIONS

5. CM-41, CM-40 & CM-60 SERIES FRONT VIEW, SIDE VIEW AND BACK VIEW



6. PARTS INFORMATION



CM-40, CM-41 & CM-60 SERIES PUSH PLATE

INSTALLATION INSTRUCTIONS

MODEL NUMBERS			
	MODEL NUMBER	QTY	DESCRIPTION
	CM-40 SERIES	1	4 1/2" ROUND PUSH PLATE SWITCH
	CM-41 SERIES	1	4 1/2" ROUND PUSH PLATE SWITCH WITH SQUARE BACK PLATE
	CM-60 SERIES	1	6" ROUND PLATE SWITCH
PARTS KIT			
ITEM NUMBER	PART NUMBER	DESCRIPTION	
1.	FOR CM-40 & CM-41 SERIES		
	60-34B031	(A) SMALL HEX KEYS 5/64" SHORT ARM (B) 6-32 X 3/4 S/S BUT HD SOCKET CAP SCREW (C) GREY PLASTIC WIRE NUT C/W SPRING	
	FOR CM-60 SERIES	(D) SMALL HEX KEYS 5/64" SHORT ARM (E) 6-32 X 1-1/4" BUT HD SOCKET CAP SCREW	
	60-34B032	(F) 6-32 X 1/2 PAN ZINC PLATED PHILLIPS SCREW (G) GREY PLASTIC WIRE NUT C/W SPRING	
FACE GRAPHICS OPTIONS			
ITEM NUMBER	PART NUMBER	DESCRIPTION	
2.	CM-XX/1	BLANK STAINLESS-STEEL FACEPLATE ON CM-40, CM-41 & CM-60 SERIES	
	CM-XX/2	WHEELCHAIR LOGO IN BLUE ON CM-40, CM-41 & CM-60 SERIES	
	CM-XX/2AL	WHEELCHAIR LOGO WITH ARROW POINTING LEFT IN BLUE CM-40, CM-41 & CM-60 SERIES	
	CM-XX/2AR	WHEELCHAIR LOGO WITH ARROW POINTING RIGHT IN BLUE CM-40, CM-41 & CM-60 SERIES	
	CM-XX/3	"PUSH TO OPEN" GRAPHICS IN BLACK, ON CM-40, CM-41 & CM-60 SERIES	
	CM-XX/3F	"POUSSEZ POUR OUVRIR" GRAPHICS IN BLACK, ON CM-40, CM-41 & CM-60 SERIES	
	CM-XX/4	WHEELCHAIR LOGO WITH "PUSH TO OPEN" LOGO ON CM-40, CM-41 & CM-60 SERIES	
	CM-XX/4F	WHEELCHAIR LOGO WITH "POUSSEZ POUR OUVRIR" LOGO CM-40, CM-41 & CM-60 SERIES	
	CM-XX/4AL	WHEELCHAIR LOGO WITH " PUSH TO OPEN AND ARROW POINTING TO THE LEFT" LOGO ON CM-40, CM-41 & CM-60 SERIES	
	CM-XX/4AR	WHEELCHAIR LOGO WITH " PUSH TO OPEN AND ARROW POINTING TO THE RIGHT" LOGO ON CM-40, CM-41 & CM-60 SERIES	
	CM-XX/8	"PUSH TO LOCK" LOGO IN BLACK ON CM-40, CM-41 & CM-60 SERIES	
	CM-XX/8B	LOCK SYMBOL IN BLACK WITH " PUSH TO LOCK" LOGO ON CM-40, CM-41 & CM-60 SERIES	
	CM-XX/8D	"PUSH TO LOCK" DOOR GRAPHICS IN BLACK, ON CM-40, CM-41 & CM-60 SERIES	
CM-XX/8F	"POUSSEZ POUR VERROUILLER" GRAPHICS IN BLACK, ON CM-40, CM-41 & CM-60 SERIES		

CM-40, CM-41 & CM-60 SERIES PUSH PLATE

INSTALLATION INSTRUCTIONS

COMPATIBLE MOUNTING BOXES OPTION		
ITEM NUMBER	PART NUMBER	DESCRIPTION
	FOR CM-40 SERIES	
3.	CM-47S	SURFACE, ROUND, STANDARD DEPTH, PROVISION FOR WIRELESS. BLACK POLYMER (ABS) FLAME AND IMPACT RESISTANT, 5" X 1-3/4"D
	CM-49	Surface/Flush mount kit includes CM-49A, CM49B, CM-49C and CM-49G. 8-3/4" x 2
	CM-59s	Surface, Round, Standard Depth. Heavy gauge stainless steel 7-3/4" x 1-1/8"
	FOR CM-41 SERIES	
	CM-43CBL	Black polymer (ABS) Surface box, standard depth, provision for wireless, double wall
	CM-48AL	Anodized aluminum surface box, shallow depth
	CM-44	Surface Box, Shallow Depth, offset mount (on jamb). Stainless Steel 4-1/2" W x 4-1/2"H x 5/8"D.
	CM-540b	Surface Box, Shallow Depth. Flame and Impact resistant black polymer (ABS) 4-13/16" x 4-13/16" x 5/8"
	CM-67	Sleeve Cover for standard double gang surface box. Heavy gauge stainless steel
	CM-440	5" Dress plate Cover for double gang or 4" square flush box. Heavy gauge stainless steel
	CM-660	6-1/2" Dress plate, Cover for double gang or 4" square flush box, Heavy gauge stainless steel
	CM-49C	Adapter plate for mounting on double gang or 4" Square box 4" x 1/16"
	FOR CM-60 SERIES	
	CM-69S	Surface, Round Standard Depth, provision for wireless. black polymer (ABS) Flame and impact resistant, 6-1/2" x 1-3/4"D
	CM-89s	Surface, Round Standard Depth. Heavy gauge stainless steel 9-5/8" x 1-1/2"