

CM-AF141SO
Single Gang LED Dome Light,
with Sounder
Installation Instructions

PACKAGE CONTENTS

1	Foam Gasket
1	O Ring
1	Set of Labels
1	LED Base
1	Lens
1	2-28 x 5/16" Phillips locking screw
2	Concrete wall plugs
2	3/16" drywall plugs
2	Wire nuts
2	#6 x 3/4" self-tapping screws
2	6-32 x 3/4" screws



CM-AF141SO

Description

Camden CM-AF141SO Corridor Lamp provides both visual and audible annunciation. It mounts to a standard single gang electrical box. The Superbright LED's along with the wedged shaped lamp cover provides visible illumination from either end of a corridor. The integrated piezo buzzer with adjustable volume provides up to 93 dB at 1 metre (3 feet).

Specifications

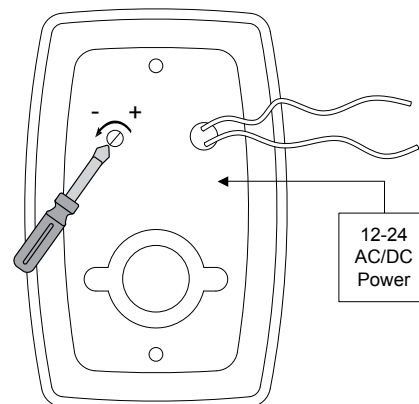
Voltage:	12 - 24V AC/DC
Illumination:	Superbright LED's
Sounder:	Piezo, 93 dB @ 1 metre (3 feet)
Current Rating:	70 mA Max
Dimensions:	4-9/16" x 2-15/16" (115mm x 75mm)

Wiring

Camden CM-AF141SO Corridor Lamp is easily wired using the 2 non-polarized leads supplied. The 2 black leads can be connected to either an AC or DC power source supplying 12 or 24V.

Sounder Volume Adjust

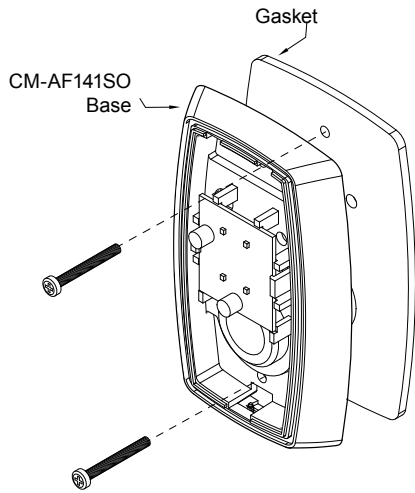
Using a small Phillips screwdriver, gently turn the volume adjustment counter clock wise to reduce the volume and clockwise to increase the volume.



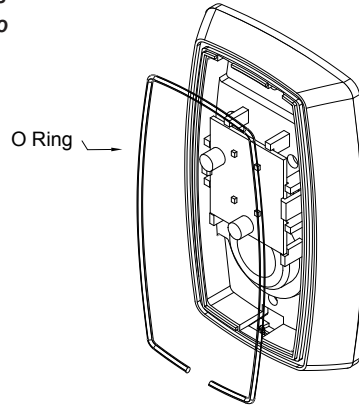
CM-AF141SO Wiring

Installation

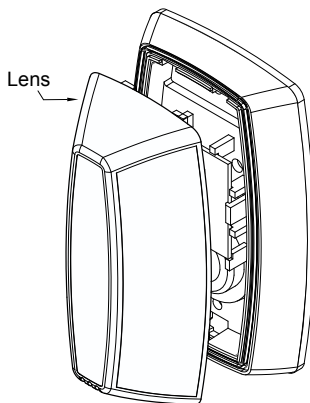
Camden CM-AF141SO mounts to a standard single gang electrical box.



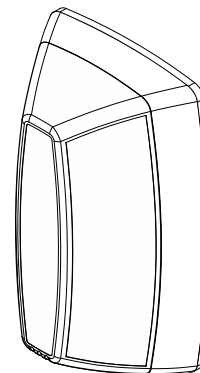
STEP 1 Place the gasket (supplied) between the base unit and the electrical box. Use the 6-32 screws to fasten the base to the electrical box.



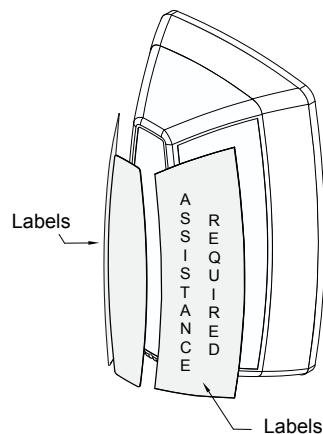
STEP 2 Insert the O ring gasket into the small channel in the front of the Base. The O ring does not completely close around the base. You must leave a small opening at the bottom of the base.



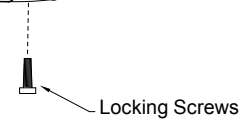
STEP 3 Install the Lens by inserting the large bottom tab in first. The top tabs will snap in place with a little effort.

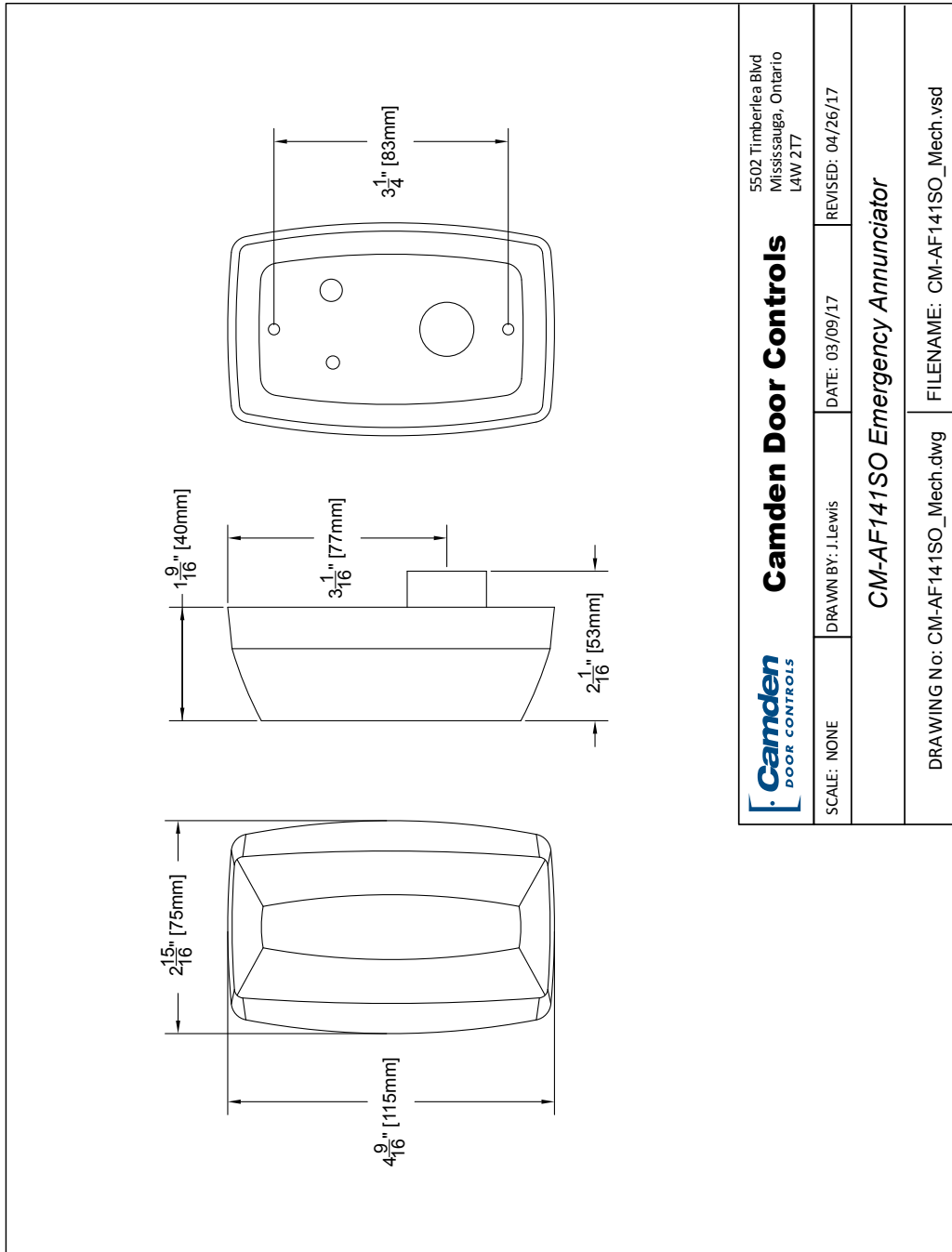


STEP 4 Install the Phillips locking screw into the bottom of the base.



STEP 5 Apply the labels as required to the lens.





		Camden Door Controls 5502 Timberlea Blvd Mississauga, Ontario L4W 2T7	
SCALE: NONE	DRAWN BY: J. Lewis	DATE: 03/09/17	REVISED: 04/26/17
CM-AF141SO Emergency Annunciator			
DRAWING No: CM-AF141SO_Mech.dwg		FILENAME: CM-AF141SO_Mech.vsd	



Push Buttons



Keypads



Strikes



Magnetic Locks



Key Switches



Relays & Timers



Access Control



5502 Timberlea Blvd.,
 Mississauga, ON Canada
 L4W 2T7

www.camdencontrols.com
 Toll Free: 1.877.226.3369

File: CM-AF141SO
 Installation Instructions.indd R1
 Revision: 27/04/2017
 Part No.: 40-82B207